

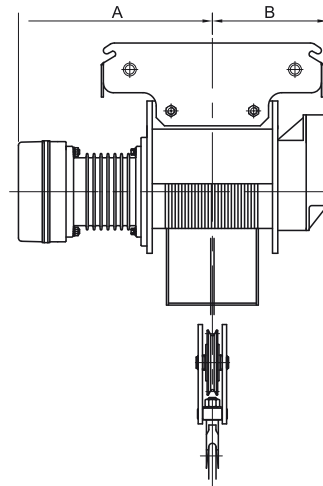
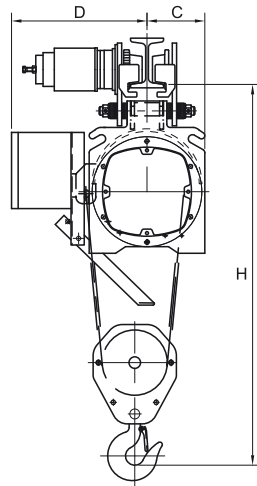


Undersling Wire Rope Hoist

Specifications & Dimensions:

1. R/F=Reeving/falling numbers
2. Dual speed model under green shadow
3. Traversing pinion 2 ton M3.5x16t, 3-5 ton M3.5 x12t
4. Traversing motor standard supply, 50Hz or 60Hz all used 4 pole, or please specify

Model	Cap. (ton)	Lift (m)	Hoisting				Traversing				Wire rope		Approximate Dimension (mm)								App. Weight (Kg)				
			Speed (m/min)		Motor Kw pole	ED %		Speed (m/min)		Motor Kw pole			ED %		H	A		B		C		D		Adjust for std. I-Beam	
			60Hz	50Hz		Single	Dual	60Hz	50Hz		Single	Dual	Single	Dual		Single	Dual	Single	Dual	Single		Dual	Single		Dual
			Ø mm	R/F																					
TPM-100	1	6	10.8	9	2.2 4P	40	40/20	24	20	0.25 4P	40	40/20	Ø 8	1/2	1150	540	581	314	210	210	380	380	75-125	246	
TPMD-100		9	10.8/ 3.6	9/3	2.2/0.73 4/12P			24/8	20/6	0.25/0.08 4/12P						590	631	364						640	681
TKM-200	2	6	8	6.7	3 4P	40	40/20	24	20	0.25 4P	40	40/20	Ø 10	1/2	1150	584	627	350	232	232	410	410	100-150	370	
TKMD-200		9	8/2.7	6.7/2.2	3/1 4/12P			24/8	20/6	0.25/0.08 4/12P						639	679	403						692	732
TKH-200	2	6	8	6.7	3 4P	40	40/20	24	20	0.25 4P	40	40/20	Ø 8	2/4	1150	661	701	422	232	232	433	433	100-150	400	
TKHD-200		9	8/2.7	6.7/2.2	3/1 4/12P			24/8	20/6	0.25/0.08 4/12P						748	788	509						834	874
TKL-300	3	6	4.4	3.7	3 4P	40	40/20	18	15	0.6 4P	40	40/20	Ø 10	1/4	1150	689	729	518	275	275	443	443	125-175	410	
TKLD-300		9	4.4/1.5	3.7/1.2	3/1 4/12P			18/6	15/5	0.6/0.2 4/12P						761	801	523						878	918
TGM-300	3	6	8	6.7	5 4P	40	40/20	18	15	0.6 4P	40	40/20	Ø 12	1/2	1200	635	718	435	185	210	430	455	125-125	410	
TGMD-300		9	8/2.7	6.7/2.2	5/1.7 4/12P			18/6	15/5	0.6/0.2 4/12P						677	760	477						779	862
TGH-300	3	6	8	6.7	5 4P	40	40/20	18	15	0.6 4P	40	40/20	Ø 10	2/4	1200	729	812	529	185	210	443	468	125-175	390	
TGHD-300		9	8/2.7	6.7/2.2	5/1.7 4/12P			18/6	15/5	0.6/0.2 4/12P						802	885	602						919	1002
TGL-500	5	6	4.4	3.7	5 4P	40	40/20	18	15	0.6 4P	40	40/20	Ø 10	1/4	1200	729	812	564	300	300	468	468	125-175	520	
TGLD-500		9	4.4/1.5	3.7/1.2	5/1.7 4/12P			18/6	15/5	0.6/0.2 4/12P						802	885	602						919	1002
		12																							560



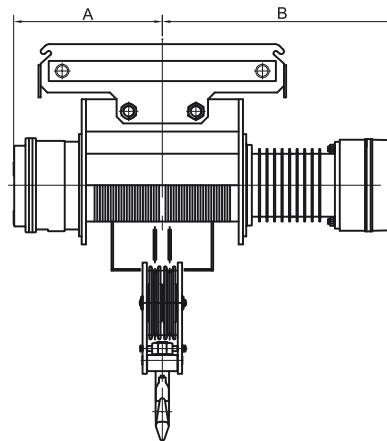
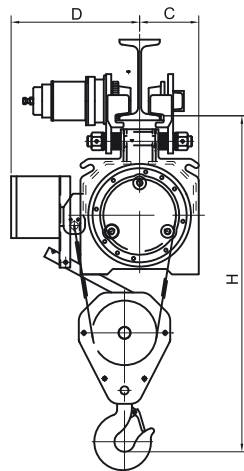


Undersling Wire Rope Hoist

Specifications & Dimensions:

1. R/F=Reeving/falling numbers
2. Dual speed model under green shadow
3. Traversing pinion 5 ton M3.5x12t, 7.5 ton M3.5x20t, 10 ton M3.5x23t
4. Traversing motor standard supply, 50Hz or 60Hz all used 4 pole, or please specify
5. Traversing motor: 5 ton used planetary reducing gear motor, 7-10 ton used reducing gear motor

Model	Cap. (ton)	Lift (m)	Hoisting				Traversing				Approximate Dimension (mm)								Adjust for standard I-Beam (mm)	App. Weight (Kg)					
			Speed (m/min)		Motor Kw pole	ED %		Speed (m/min)		Motor Kw pole	ED %		Wire rope		H	A		B			C		D		
			60Hz	50Hz		Single	Dual	60Hz	50Hz		Single	Dual	∅ mm	R/F		Single	Dual	Single			Dual	Single	Dual	Single	Dual
TBH-500	5	6	7.3	6.1	7.5 4P	40	40/20	18	15	0.6 4P	40	40/20	∅ 10	2/4	1250	553	812	875	220	255	488	513	125-175	590	
TBHD-500		9	7.3/2.4	6.1/2.0	7.5/2.5 4/12P			18/6	15/5	0.6/0.2 4/12P						603	862	925						630	
		12						743	1002	1065						710									
TBH-750	7.5	6	7.3	6.1	11 4P	40	40/20	20	17	1.1 4P	40	40/20	∅ 14	2/4	2000	608	867	929	240	240	612	612	150-200	990	
TBHD-750		9	7.3/2.4	6.1/2.0	11/3.7 4/12P			20/6	17/6	1.1/0.37 4/12P						743	1002	1064						1020	
		12						833	1092	1075						1060									
TBL-1000	10	6	5.0	4.2	11 4P	40	40/20	18	15	1.1 4P	40	40/20	∅ 16	1/4	2000	605	849	911	340	340	640	725	150-200	970	
		9								1.1/0.37 4/12P						673	917	979			1000				
TBLD-1000		12	5.0/1.7	4.2/1.4	11/3.7 4/12P			18/6	15/5	0.75X2 4P						773	1017	1079			1040				



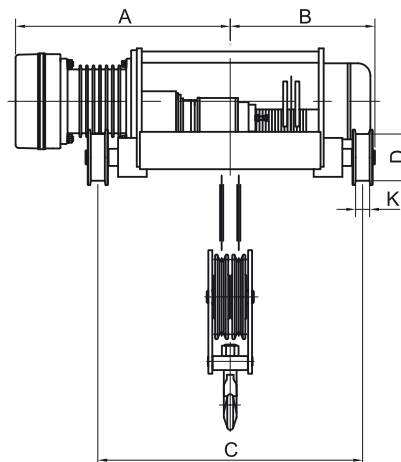
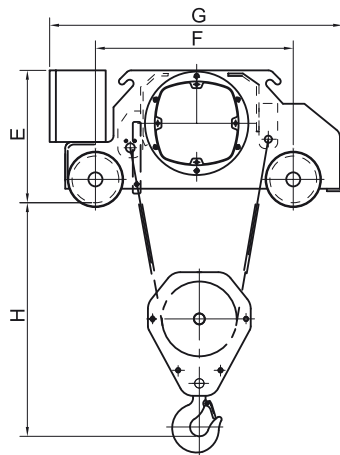


Top Riding

Specifications & Dimensions:

1. R/F=Reeving/falling numbers
2. Dual speed model under green shadow
3. Traversing pinion 2 ton M3.5x15t. 3-5 ton M3.5x23t
4. Traversing motor standard supply, 50Hz or 60Hz all used 4 pole, or please specify.
5. Traversing motor: 2 ton used planetary reducing gear motor. 3-5 ton used reducing gear motor.

Model	Cap. (ton)	Lift (m)	Hoisting				Traversing				Approximate Dimension (mm)										App. Weight (Kg)										
			Speed (m/min)		Motor Kw pole	ED%		Speed (m/min)		Motor Kw pole	ED%		Wire Rope		H	A		B	C	D		E		F	G	K					
			60Hz	50Hz		Single	Dual	60Hz	50Hz		Single	Dual	∅ mm	R/F		Single	Dual	Single	Dual	Single		Dual	Single	Dual							
SKM-200	2	6	8	6.7	3 4P	40	40/20	20	17	0.25 4P	40	40/20	∅ 10	1/2	600	639	679	401	600	120	390	460	615	923	40	420					
SKMD-200		9	8/2.7	6.7/2.2	3/1 4/12P			20/6	17/6	0.25/0.8 4/12P						639	679	401	600								692	732	462	850	440
12		20/6						17/6	0.25/0.8 4/12P	692						732	462	850	450												
SKH-200	2	6	8	6.7	3 4P	40	40/20	20	17	0.25 4P	40	40/20	∅ 8	2/4	600	661	701	462	850	120	390	460	615	923	40	450					
SKHD-200		9	8/2.7	6.7/2.2	3/1 4/12P			20/6	17/6	0.25/0.08 4/12P						748	788	509	850								834	874	612	1150	470
12		20/6						17/6	0.25/0.08 4/12P	834						874	612	1150	490												
SKL-300	3	6	4.4	3.7	3 4P	40	40/20	21	18	0.4 4P	40	40/20	∅ 10	1/4	650	689	729	465	850	150	425	495	725	1030	45	500					
SKLD-300		9	4.4/1.5	3.7/1.2	3/1 4/12P			21/7	18/6	0.4/0.13 4/12P						761	801	523	850								878	918	640	1150	530
12		21/7						18/6	0.4/0.13 4/12P	878						918	640	1150	560												
SGM-300	3	6	8	6.7	5 4P	40	40/20	21	18	0.4 4P	40	40/20	∅ 12	1/2	750	677	760	477	850	150	495	495	660	968	45	490					
SGMD-300		9	8/2.7	6.7/2.2	5/1.7 4/12P			21/7	18/6	0.4/0.13 4/12P						677	760	477	850								779	862	579	850	500
12		21/7						18/6	0.4/0.13 4/12P	779						862	579	850	510												
SGH-300	3	6	8	6.7	5 4P	40	40/20	21	18	0.4 4P	40	40/20	∅ 10	2/4	750	729	812	529	850	150	495	495	635	940	45	520					
SGHD-300		9	8/2.7	6.7/2.2	5/1.7 4/12P			21/7	18/6	0.4/0.13 4/12P						802	885	602	850								919	1002	719	1150	580
12		21/7						18/6	0.4/0.13 4/12P	919						1002	719	1150	610												
SGL-500	5	6	4.4	3.7	5 4P	40	40/20	21	18	0.75 4P	40	40/20	∅ 10	1/4	900	720	812	529	850	150	495	545	725	1030	45	570					
SGLD-500		9	4.4/1.5	3.7/1.2	5/1.7 4/12P			21/7	18/6	0.75/0.25 4/12P						802	885	602	850								919	1002	719	1150	590
12		21/7						18/6	0.75/0.25 4/12P	919						1002	719	1150	630												





Top Riding

Specifications & Dimensions:

1. R/F=Reeving/falling numbers
2. Dual speed model under green shadow
3. Traversing pinion 2 ton M3.5x15t. 3-5 ton M3.5x23t
4. Traversing motor standard supply, 50Hz or 60Hz all used 4 pole, or please specify.
5. Traversing motor: 2 ton used planetary reducing gear motor. 3-5 ton used reducing gear motor.

Model	Cap. (ton)	Lift (m)	Hoisting			Traversing				Approximate Dimension (mm)										App. Weight (Kg)									
			Speed (m/min)		Motor Kw pole	ED%		Speed (m/min)		Motor Kw pole	ED%		Wire Rope		H	A	B		C		D	E	G	K	M				
			60Hz	50Hz		Single	Dual	60Hz	50Hz		Single	Dual	Ø mm	R/F			Single	Dual											
SFAH-1500	15	8	6.1	5.1	18.5 4P	40	40/20	18	15	1.5 4P	40	40/20	Ø 18	2/4	1600	1007	1069	1187	1150	200	725	1150	60	1475	2155				
SFAHD-1500		10	6.1/2.0	5.1/1.7	18.5/6.2 4/12P			18/6	15/5	1.5/0.5 4/12P															1053	1115	1233	1400	2528
		12																											
SFAJ-3000	30	8	3.0	2.5	18.5 4P	40	40/20	21	17.5	1.5 X 2 4P	40	40/20	Ø 18	2/4	1600	1113	1175	1293	1400	300	730	1336	70	1912	2500				
SFAJD-3000		10	3.0/1.0	2.5/0.8	18.5/6.2 4/12P			21/7	17.5 5.8	1.5/0.5X2 4/12P															1213	1275	1303	1600	2725
		12																											

