

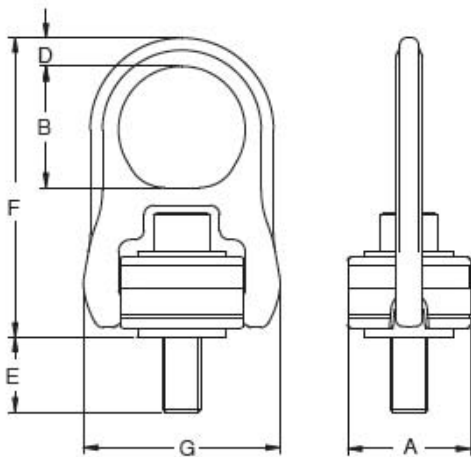


## Swivel Hoist Ring, with Alloy Steel Washer (Metric Thread)

Item No.	Working Load Limit		Torque in Nm	Bolt Size	Dimensions (mm)						N.W.
	Tonnes*				E	A	B	D	F	G	Kg
	5 : 1	4 : 1									
8-203-004	0.40	0.50	10	M8 x 1.25 x 50	17.0	40	41	9	102	65	0.4
8-203-005	0.45	0.55	16	M10 x 1.50 x 45	11.0	40	41	9	102	65	0.5
§ 8-203-005L	0.45	0.55	16	M10 x 1.50 x 60	26.0	40	41	9	102	65	0.5
8-203-010	1.05	1.30	38	M12 x 1.75 x 60	15.0	65	64	15	158	105	1.7
§ 8-203-010L	1.05	1.30	38	M12 x 1.75 x 75	30.0	65	64	15	158	105	1.7
8-203-019	1.90	2.40	81	M16 x 2.00 x 65	20.0	65	64	15	158	105	1.8
§ 8-203-019L	1.90	2.40	81	M16 x 2.00 x 80	35.0	65	64	15	158	105	1.8
8-203-021	2.15	2.70	136	M20 x 2.50 x 70	25.0	65	64	15	158	105	1.9
§ 8-203-021L	2.15	2.70	136	M20 x 2.50 x 90	45.0	65	64	15	158	105	2.1
§ 8-203-030	3.00	3.75	136	M20 x 2.50 x 80	25.0	85	79	19	204	134	4.2
8-203-030L	3.00	3.75	136	M20 x 2.50 x 100	45.0	85	79	19	204	134	4.2
8-203-042	4.20	5.25	312	M24 x 3.00 x 80	26.0	85	79	19	204	134	4.2
§ 8-203-042L	4.20	5.25	312	M24 x 3.00 x 110	56.0	85	79	19	204	134	4.3

§ Long Bolts are designed for soft metal work piece. The depths of thread need to be in a minimum 1 times thread for steel, 1.25 thread for cast iron and 2 times thread for aluminium work piece.

### Swivel Hoist Ring



All YOKE Swivel Hoist Rings meet or exceed all the requirements of ASME B 30.26.

Each forged parts and cap screw with Batch code links to Test Certificate sheet.

Hoist Ring Bail are designed by forged Alloy Steel, quenched and tempered.

Hoist Rings are 360° swivel with 180° pivot function.

Bolt are Metric thread (ASME / ANSI B18.3.1M) specification is a grade 12.9 alloy socket head screw per DIN EN ISO 4762.

Proof Load individually to 2.5 times Working Load Limit and certified.

20000 cycle fatigue rated to 1.5 times Working Load limit.

Rated at 100% at 90° angle.  
100% Magnaflux crack detection

