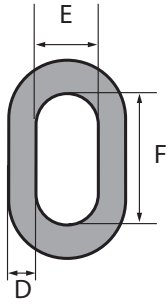


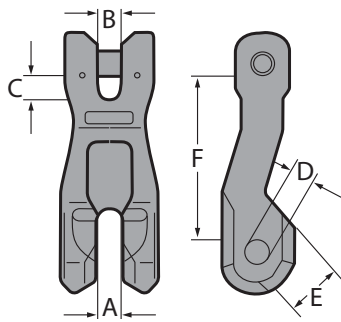
Transport Ring, Weld-on Type

Product Code	Size	Dimensions (mm)								Ma k
		WLL	E	F	C	L	H	D	B	
D06115177-01	10-8	3,15	84	46	45	44	38	18	48	0
D06115177-02	13-8	5,3	120	69	60	60	51	24	66	1
D06115177-03	16-8	8	127	66	68	65	61	28	72	2
D06115177-04	22-8	15	178	98	96	109	80	39	120	8

Welded Coupling Links

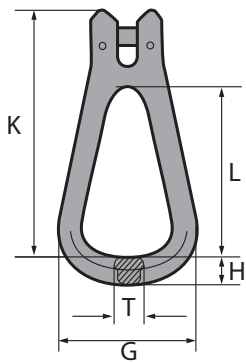


Product Code	Link Size (mm)			Link Size (mm)		
	D	E	F	D	E	F
D06115169	7,0	14	28			
D06115170	10,0	16	30	28	60	100
D06115171	13,0	25	40	32	65	110
D06115172	16,0	35	60	40	70	130
D06115173	20,0	40	70	45	80	150
D06115174	22,0	45	80	50	90	180
D06115175	25,5	50	90			



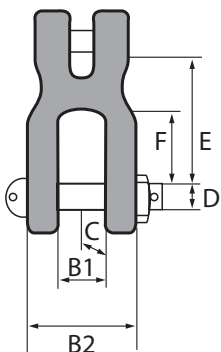
Clevis Shortening Clutch

Product Code	Chain Size mm	Code No.	Dimensions (mm)					Mass kg
			A,B	C	D	E	F	
D061150-33	7/8	KC7	8	10	9	16	62	0,4
D061150-34	10	KC 10	12	14	12	25	87	0,9
D061150-35	13	KC13	16	17	15	32	115	1,9
D061150-36	16	KC 16	20	19	19	39	143	3,2



Clevis Reeveable Master Link

Product Code	Chain Size	Code No.	Dimensions (mm)					Mass kg
			K	L	G	T	H	
D061150-21	7.0-0 8,0	YG01	124	87	75	14	15	0,4
D061150-22	10,0	YG02	155	108	96	18	19	0,7
D061150-23	13,0	YG03	196	136	108	23	22	1,3
D061150-24	16,0	YG04	239	165	124	24	26	2,6



Clevis Shackle

Product Code	Chain Size	Dimensions mm							Ma k
		WLL	E	D	C	F	B1	B2	
D06115177-01	10-8	3,15	64	16	32	36	21	47	0,62
D06115177-02	13-8	5,3	83	20	40	49	27	61	1,16